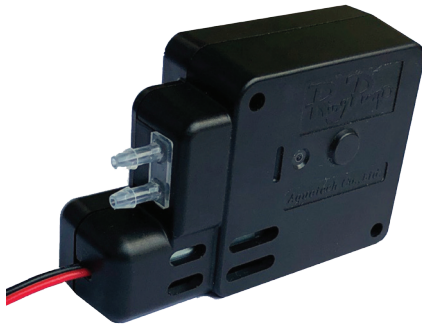


New !

Ring Pump®

RP-GIII Series



Features

- Compact box shape makes it possible to pile up plural GIII pumps.
- Flow rate range is rather small and it is in near side to one for series of RP-Q and RP-CIII.

Examples of application

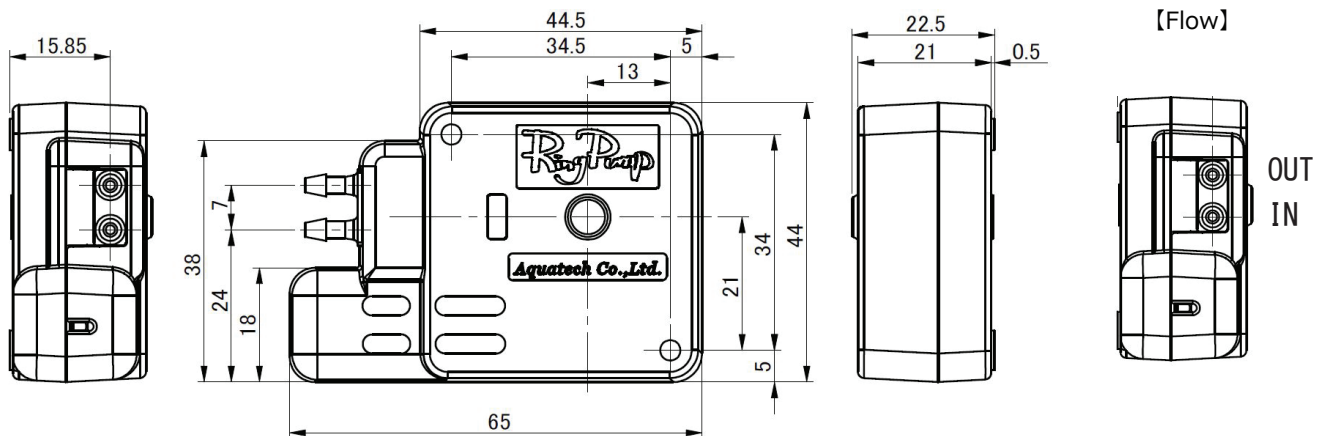
Automatic washing machine
Electrolytic water conditioner
Applications for detergent supply etc.

Main specifications

Flow rate (mL/min) ※	2.5 - 11 (see Model Lineup)
Tubing	Silicone / PharMed / Fluran
Motor/Power source	DC 3 - 6V
Material of main parts	Case: PBT
Weight (for reference)	Approx. 62g

※ Flow rate can be adjustable by power voltage.

【Outline view】



※ Lead wire should not face downward.

Model Lineup

Model Lineup	Voltage (DC/V)	Flow rate (mL/min)	Tubing		Remarks
			Type	ID/OD(mm)	Rotation
RP-GIII02 S -12Z-DC6V	6	12	Silicone (S)	2 X 4	CW
RP-GIII02 S -5Z-DC3V	3	5	Silicone (S)	2 X 4	CW
RP-GIII1.6F-6P5Z-DC6V	6	6.5	PharMed (F)	1.6 X 3.2	CW
RP-GIII1.6F-2P5Z-DC3V	3	2.5	PharMed (F)	1.6 X 3.2	CW
RP-GIII1.6R-8Z-DC6V	6	8	Fluran (R)	1.6 X 3.2	CW
RP-GIII1.6R-3P2Z-DC3V	3	3.2	Fluran (R)	1.6 X 3.2	CW

PharMed / Fluran : Product of Saint-Gobain SA.