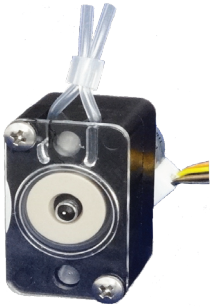


# Ring Pump®

## RP-HX Series



### Features

- The world smallest level flow rate.
- Wide range of flow levels are possible by using different pumpheads.
- Docking of the pumphead can be done in one action. No screw bolt is necessary.
- Autoclave sterilizable pumphead is available.

### Examples of application

Analytical instruments, medical devices, cell culturing experiments and many other usage where micro-fluidic control is needed.

### Main specifications

Flow rate (μL/min)*	4 - 1,000
Tubing	Silicone, Olefin
Motor/Power source	Stepper motor DC 2.6 - 3V
Material of main parts	Case : Fiber glass reinforced PC
Weight (for reference)	Approx. 28g

\*Flow rate is at revolution speed 5 - 1,000 pps (1/4 micro step).

### Replaceable Pumphead



Replaceable pumphead  
RK-HXP5S



Replaceable pumphead  
RK-HXP5S-C  
**Autoclave sterilizable**

### Motor Controller



Motor controller and frequency  
counter for RP-HX pumps

### New Motor Controller RE-C200 & C201

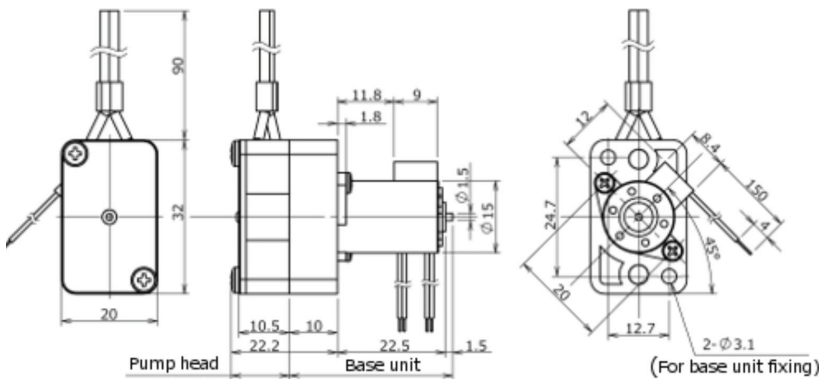
**RE-C200**

**RE-C201**

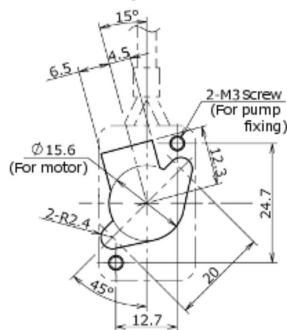
**Set example with PC**

Software display  
on PC

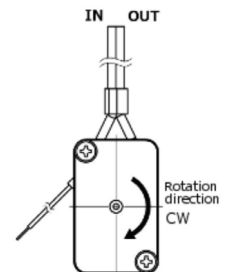
### Outline view



### Mounting plate view



### Flow direction in CW revolution



### Model Lineup

Model Lineup	Pumphead	Voltage (DCV)	Flow rate (μL/min)	Tubing	
				Type	IDxOD (mm)
RP-HXP5S-P4A-DC3VS	RK-HXP5S	3	2 - 400	Silicone (S)	0.5 x 1.5
RP-HXP5S-P4E-DC3VS	RK-HXP5S-C (sterilizable)	3	2 - 400	Silicone (S)	0.5 x 1.5
RP-HX01S-1A-DC3VS	RK-HX01S	3	5 - 1,000	Silicone (S)	1.0 x 2.0
RP-HX01S-1H-DC3VS	RK-HX01S-D (sterilizable)	3	5 - 1,000	Silicone (S)	1.0 x 2.0
RP-HXP5F-P25A-DC3VS	RK-HXP5F	3	2 - 350	Olefin (F)	0.5 x 1.5

### Flow rate in using our motor controller

Model Lineup	RE-C100 (μL/min)		RE-C200, C201 (μL/min)
	1/4 micro step	1/8 micro step	
RP-HXP5S-P4A-DC3VS	5 - 400	2.5 - 200	2 - 400
RP-HXP5S-P4E-DC3VS	5 - 400	2.5 - 200	2 - 400
RP-HX01S-1A-DC3VS	12 - 1,000	6 - 500	5 - 1,000
RP-HX01S-1H-DC3VS	12 - 1,000	6 - 500	5 - 1,000
RP-HXP5F-P25A-DC3VS	4 - 350	2 - 180	2 - 350